

ali@ka

the roller shutter with adjustable slats

KIKAU



Patent Pending

Alika is the first rolling shutter with adjustable slats from 0° to 90°, compatible with the standard guides and standard roller blind box.



Easy and Simple

Alika allows an easy installation and it is easy to use, like a normal roller shutter.



Comfort and Privacy

The gradual adjustment system of the slats guarantees the maximum comfort and at the same time the maximum privacy.



Compatible with domotic

Alika can be integrated into domotic systems.



More Security

Alika is made of reinforced aluminum profiles and stainless steel components that contribute to increase the passive safety of the house.



Energy Saving

Alika helps to reduce the energy costs of the house.

KIKAU Persiane
via Appia Km 632.200 - 74016 Massafra (TA)
tel. +39.099.8852072 fax +39.099.8809738
email kikau@kiaku.it web www.kikau.it



Zero Maintenance

Alika is maintenance free. The special component design allows a fast and easy cleaning; the cleaning is also safe thanks to the rounded forms and to the protection of the cuts and sharp edges.



100% Environmentally Friendly

We use only ecological raw materials. The exclusive Kikau process of oxidation and aluminium painting has zero environmental impact, it is without chrome and without toxic substances. Alika is 100% recyclable.



Care to Design

Extra care and attention to the design of each component, to the choice of the finishes and colors.



CE Mark

AAlika is CE marked in compliance with UNI EN 13659.



Made in Italy

Alika is a product certified "Made in Italy", this is a warranty of high quality, functionality and the protection of the users.



Attention:

due to the functional characteristics of the product and the necessary mechanical tolerances that ensure its correct operation in the time, it is not possible to guarantee total dimming. Therefore slight light passages that may occur between the slats and on the side components fall within the product standard. N.B.: with light colored accessories and slats the dimming performance is lower.

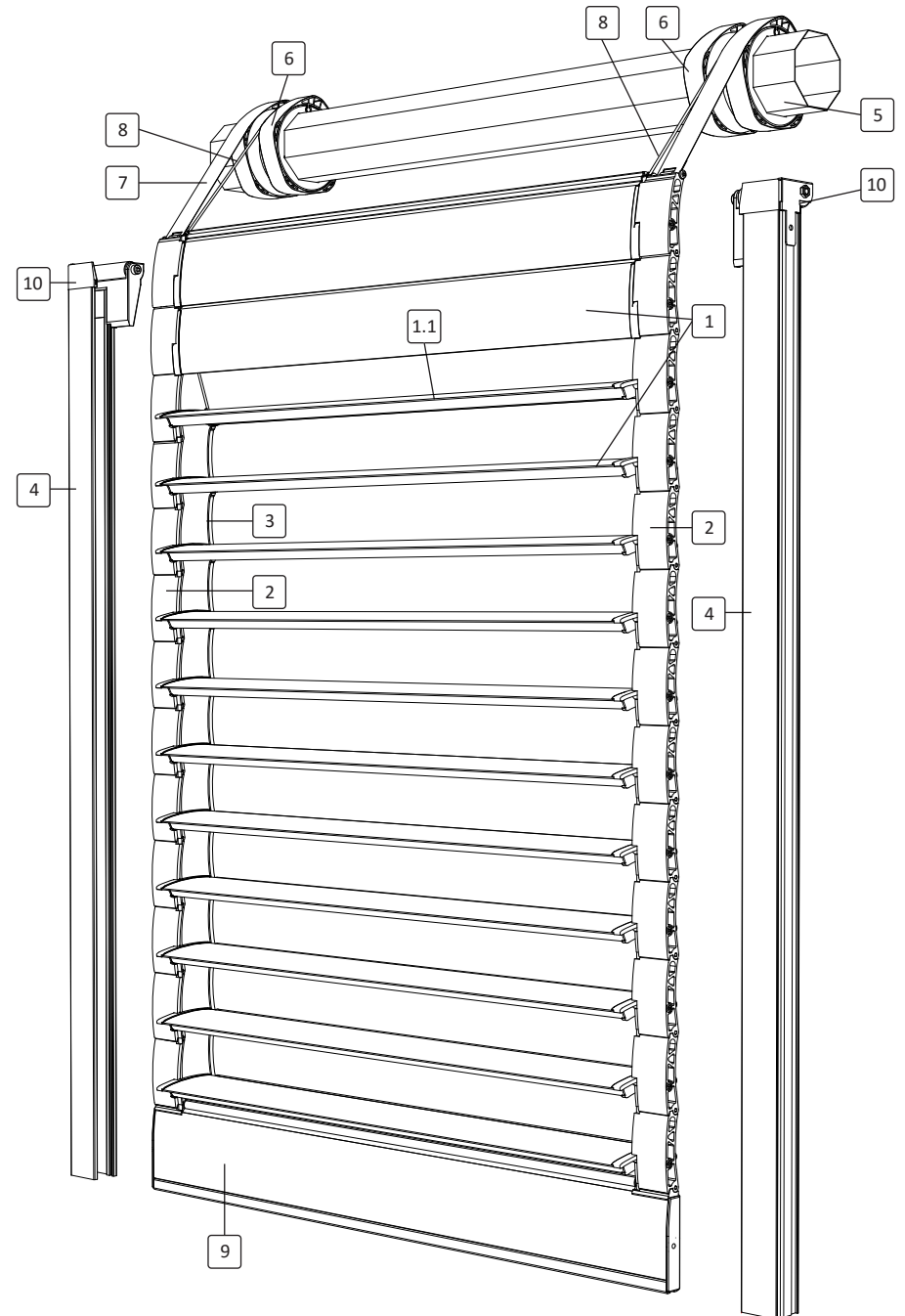
COMPONENT LAYOUT AND TECHNICAL SPECIFICATIONS

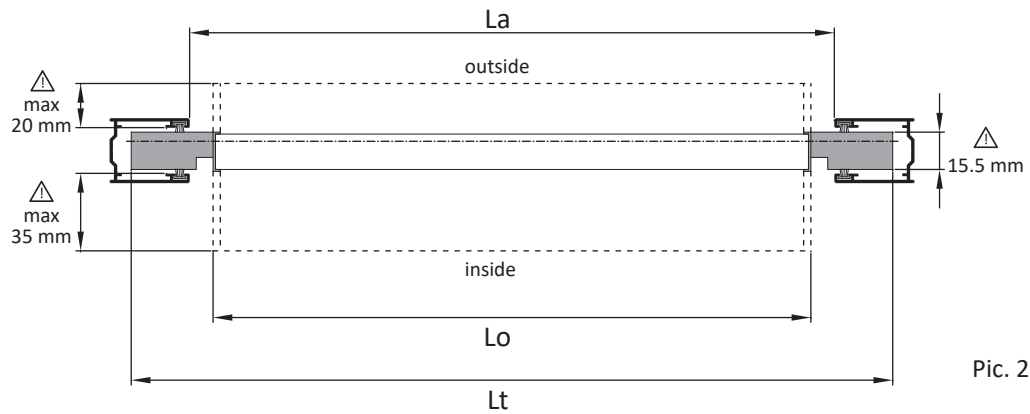
- 1 **Slat**
Profile in extruded aluminium alloy 6060
- 1.1 **Driving Slat**
Profile in extruded aluminium alloy 6060
- 2 **Lateral Support**
Component made of nylon added with fiber glass
- 3 **Connecting Rod**
Component made of stainless steel
- 4 **Standard Guide**
Profile in extruded aluminium alloy 6060
- 5 **Standard Roller Tube**
Profile in galvanized steel diameter 60 mm (not included)
- 6 **Pulley**
Component made of extruded aluminium alloy 6060 with rings made of nylon
- 7 **Belt**
Component in stainless steel
- 8 **Cord**
Coated stainless steel, terminal elements in zama and stainless steel
- 9 **Lower Crossbar + Brush Seal Holder**
Profile in extruded aluminium alloy 6060
- 10 **Slide Cap**
Body of component made of nylon caricato added with fiber glass, roller in plastic material self-lubricating, support in stainless steel

- Screws and other parts**
Stainless steel
- Gasket for Slats**
PVC co-extruded
- Brush seal**
PVC

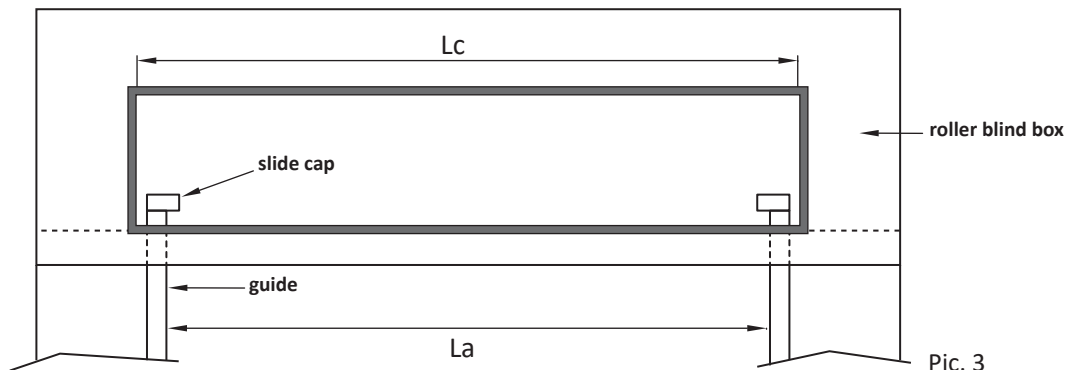
Curtain Specifics

Curtain weight (without guides, pulleys, roller tube): 10,5 Kg/mq approx.
 Number of slats per meter of height: 16.67
 slat wheelbase: 60 mm
 Curtain thickness (inside the guide): 15.5 mm
 Maximum dimensions possible with single curtain: 200 cm in width (La)
 280 cm in height (Ha)
 Conformity UNI EN 13659: class 6 wind resistance
 class 3 mechanical resistance





Pic. 2

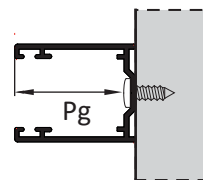


Pic. 3

- Lt = Curtain Width
- Lo = Slats Width
- La = Architectural Width
- Lc = Box Inspection Width
- Pg = Guide Depth
- Hi = Internal Architectural Height
- He = External Architectural Height
- Hs = Box Base Thickness
- Da = Wrapping Diameter of Curtain
- Xr | Yr = Position of Axis of Roller Tube

! WARNING!

- The internal dimension of slats in maximum opening position is **35 mm**
- The external dimension of slats in maximum opening position is **20 mm**
- The maximum dimension of the curtain inside the guide is **15.5 mm**
- **Lc** must be not less **Lt** with lower or frontal box inspection
- **Lt = La + 45 mm** on guides with internal depth **Pg = 30 mm**
- **Lt = La + 40 mm** on guides with internal depth **Pg = 25 mm**



Pic. 4

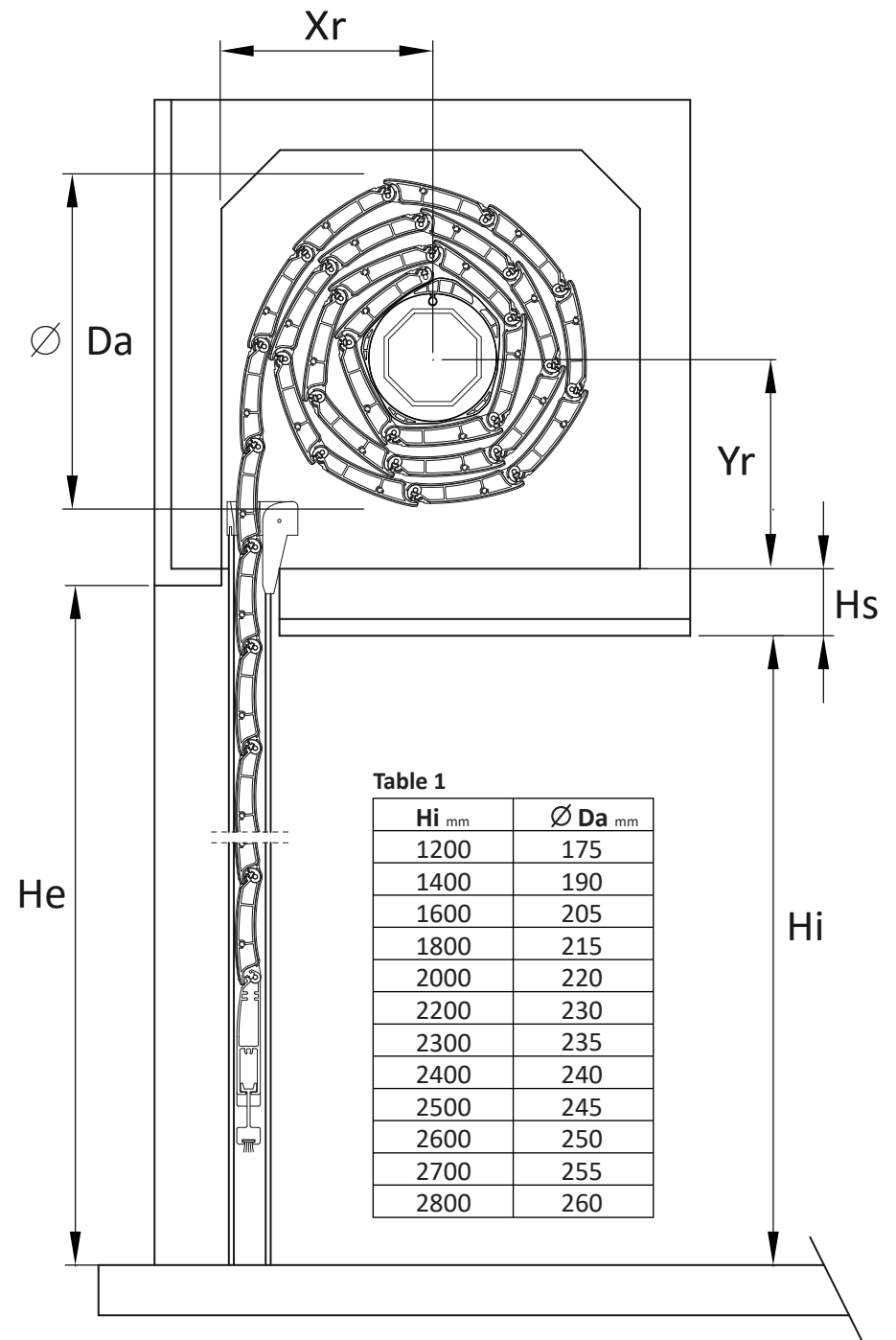
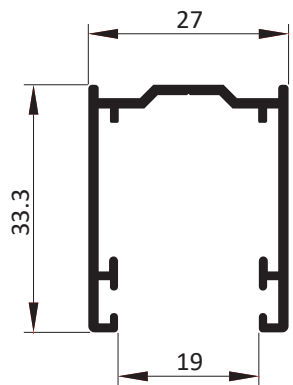


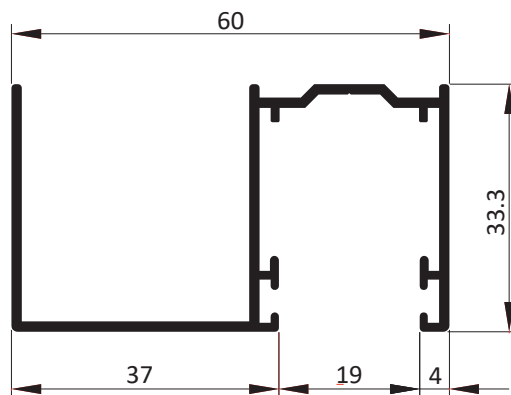
Table 1

Hi mm	∅ Da mm
1200	175
1400	190
1600	205
1800	215
2000	220
2200	230
2300	235
2400	240
2500	245
2600	250
2700	255
2800	260

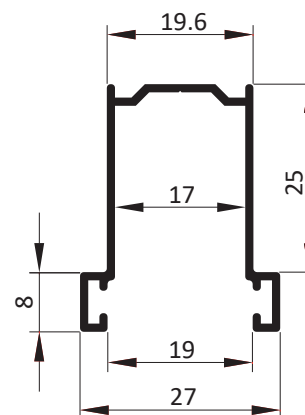
Pic. 5



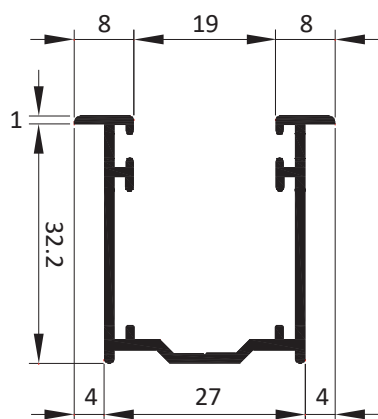
Guide
Art. 001/TO-G
Weight: 0,421 Kg/ml



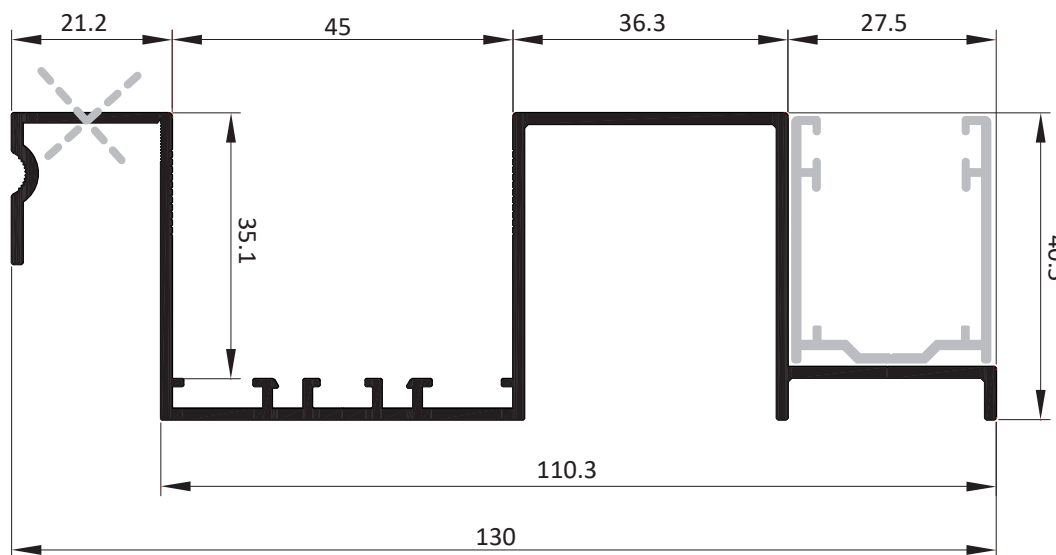
Guide with Spacer
Art. 001/TO-GD
Weight: 0,664 Kg/ml



Guide for Substitution
Art. 001/TO-GS
Weight: 0,354 Kg/ml



Guide
Art. 001/TO-GL
Weight: 0,446 Kg/ml



Spacer with case for mosquito net
Art. 001/TO-DZ
Weight: 0,947 Kg/ml



STANDARD COLORS - ALUMINIUM

STANDARD ROUGHT COLORS

WHITE	RAL 9010
IVORY	RAL 1013
GRAY	RAL 7004
SILVER GRAY	RAL 9006
GOTIC GRAY	
GREEN	RAL 6005
DARK GREEN	RAL 6009
GOTHIC GREEN	
BROWN	RAL 8017
GOTHIC BROWN	

ROUGHT WOOD EFFECTS

MEDIUM WALNUT	4198K12-GC
PUGLIA WALNUT	M012-GC
CHESTNUU PVC-S	M057-GS
CHESTNUU PVC-C	M011-GC
ANCIENT OAK	M362-GC
VEINED GREEN	M058-GV

STANDARD COLORS - ACCESSORIES

BLACK (without extraprice)	
WHITE	RAL 9010
IVORY	RAL 1013
GREEN	RAL 6009
BROWN	RAL 8017
GRAY	RAL 7004

Cliente				Indirizzo			
Città				P. IVA			
Tel.			Fax			Email	
Ordine N.			Data			Rif.	

Pos.	N. Pz	La mm	Hi mm	He mm	Hs mm	Xr mm	Yr mm
1							
2							
3							
4							
5							
6							
7							
8							
9							
10							
11							
12							
13							
14							

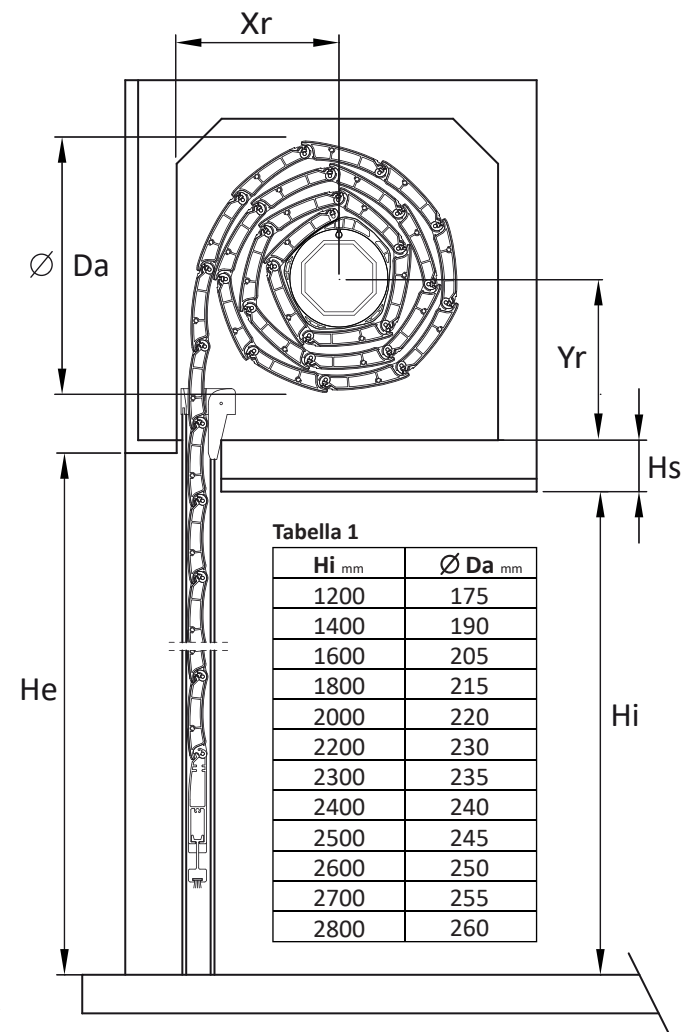


Tabella 1

Hi mm	$\varnothing Da$ mm
1200	175
1400	190
1600	205
1800	215
2000	220
2200	230
2300	235
2400	240
2500	245
2600	250
2700	255
2800	260

TIPO GUIDA		COLORE ALLUMINIO			COLORE ACCESSORI	
Guida Kikau	Guida Generica	RAL Raggrinzato		Tinta Legno		
001/TO-G	Prof. 25 mm	Ral 9010	Ral 6009	Noce 4198K12-GC	Nero (di serie)	
001/TO-GD	Prof. 30 mm	Ral 1013	Verde Got.	Noce Puglia M012-GC	Bianco Ral 9010	
001/TO-GS		Ral 7004	Ral 8017	Castagno M057-GS	Avorio Ral 1013	
		Grigio Got.	Marrone Got.	Castagno M011-GC	Marrone Ral 8017	
		Ral 6005	Ral 9006	Rovere M362-GC	Verde Ral 6009	
Note:		Altro:		Verde Venato M058-GV	Grigio Ral 7004	

